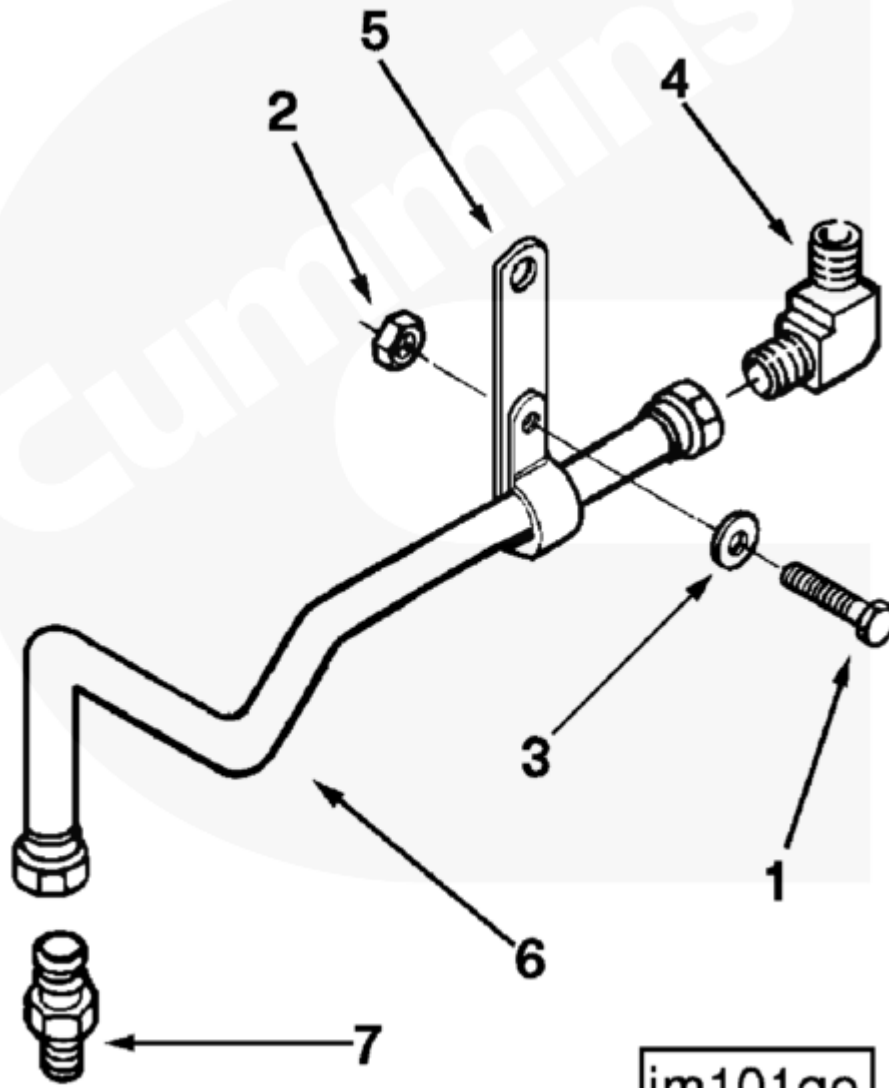




Parts Catalog - Option Detail

Electronic Parts Catalog - Option Detail				
Option	Group	Graphic	Film Card	Date
IM1762	10.01	im101go	F	15-JAN-96
Engines	NH/NT 855, NT495, NT743, NTA855 N106			

©Cummins Inc



im101go

[SMALL](#) | [MEDIUM](#) | [LARGE](#)

Cart	Ref No	Part Number	Part Description	Required	Remarks
View My Cart					
		IM1762	Air Intake Manifold Mounting		For use with automotive...(More)

					engines with single
					cylinder air compressor.
<input type="checkbox"/>	1	S 121	Hexagon Head Cap Screw	1	1/4 - 28 x 5/8 in.
<input type="checkbox"/>	2	S 251	Regular Hexagon Jam Nut	1	1/4 - 28 UNF
<input type="checkbox"/>	3	S 600	Lock Washer	1	1/4 in.
<input type="checkbox"/>	4	68139	Male Adapter Elbow	1	1/8 NPTF X 7/16 - 20 (90).
<input type="checkbox"/>	5	3031618	Clip	1	
<input type="checkbox"/>	6	3038037	Manifold Pressure Tube	1	
<input type="checkbox"/>	7	S 1097	Male Connector	1	

© 2019 Cummins Inc., Box 3005, Columbus, IN 47202-3005 U.S.A.
Terms of Use and Disclaimers | Recommended System Requirements
Need Assistance? Please click on the Contact Us button in the top right corner of any page.